

# Information – roller



Company :

Contact :

Phone :

Order :

Deadline :

Date :

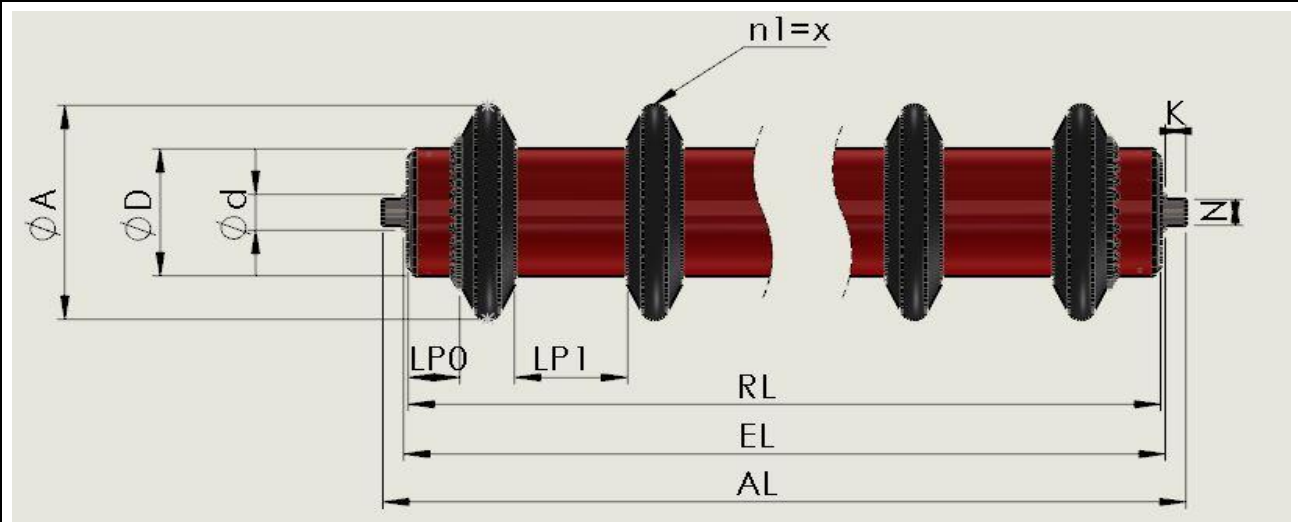
Quantity:

ID \_\_\_\_\_

CONVEYOR ROLLER - CLEANING

DNA :

PRICE:



## ROLLER TYPE

J Metal		K Galvanised metal		X Stainless (Inox)
------------	--	-----------------------	--	--------------------------

## DIMENSIONS

* roller D = roller diameter	D		mm
* roller RL = roller operational width	RL		mm
* roller EL = installation dimension	EL		mm
* roller AL = axis length	AL		mm
* d = axis diameter	d		mm
* C = Rubber ring diameter	A		mm
* n=x = Number of rubber rings	n1=x		Pcs.
* LP0 = Starting distance	LP0		mm
* LP1 = Distance between C and A	LP1		mm

## METHOD OF AXIS CLAMPING

G Even axis ( fixed )	VZ Spring axis	NK Wrench socket	NN Internal thread	ZN External thread
		N ____ x K ____ mm	M ____ x ____ mm	M ____ x ____ mm

CODE:

NAME: