



OWN PRODUCTION OF CONVEYOR ROLLERS AND CONVEYOR LINES

**From rollers, over transport lines,
to complete turnkey logistics solutions.**



LAR TRANSPORTNI SISTEMI d.o.o.
Industrijska ulica 54,
2230 Lenart v Slov. goricah
SI - SLOVENIA

Tel.: 00386 (0)2 460 25 40
Fax.: 00386 (0)2 460 25 45
E - mail: office@lar.si



CONVEYOR ROLLERS FOR INDUSTRY

The manufacture is based on our own development and research activities and includes the following: manufacturing of gravity and driven roller tracks and special-purpose rollers.

The manufacture can be fully customized to the customer needs. We produces conveyor rollers in small and large series.



**PLASTIC ROLLERS -
SYNTHETIC MATERIAL**



METAL ROLLERS



**METAL OR PLASTIC
LINING ROLLERS**



**SINGLE SPROCKET METAL
ROLLERS**



**DOUBLE SPROCKET METAL
ROLLERS**



**PLASTIC SINGLE SPROCKET
ROLLERS**



**PLASTIC DOUBLE SPROCKET
ROLLERS**



**PLASTIC TOOTHED BELT
HEAD ROLLERS**



**SINGLE-DOUBLE ROUND BELT
METAL ROLLERS**



**PLASTIC POLY-V BELT
HEAD ROLLERS**



**SINGLE -SIDED
CLAMPED ROLLERS**



**SINGLE-DOUBLE SPROCKET
CONICAL PLASTIC ROLLERS**

LAR TRANSPORTNI SISTEMI d.o.o.

is a family-owned company. The company has settled status succession.

The company's tradition goes back years and its development through various organisational forms led to the present structure. From its beginnings in garages and households, the company has developed into a medium-sized enterprise that employs working people who form a homogeneous unit. A high level of organisation and good knowledge of the problems allow us to offer the client a solution to any problem at any time.

While conducting field work, technically qualified salespeople are in constant contact with customers and even the most complex projects are a welcome challenge that helps our further development. We are shaping an entirely new path throughout the Slovenian and other markets, since we successfully connect our expert knowledge and customers, producing top quality products, ensuring quick responsiveness and a very high level of service.

In the year 2022, we took over the sales and production program of MURATECH d.o.o – an automation and mechanical engineering company. MURATECH d.o.o has, through 30 years of history, managed, with its knowledge and experience, to gain various business partners in Slovenia, over Europe and abroad. With the merger, we acquired a team of people with whom LAR TRANSPORTNI SISTEMI d.o.o. continues the path of success and expands its development. With this step LAR d.o.o. expands its sales portfolio with the production of complex transport lines. From now onwards, we can offer you complete turnkey solutions to solve your logistics challenges.

With a clear business vision and awareness of our advantages, we are building our path to longterm trust, quality of our own products and services, high professional skills and compliance with the agreed obligations.



LAR



TRANSPORTNI SISTEMI

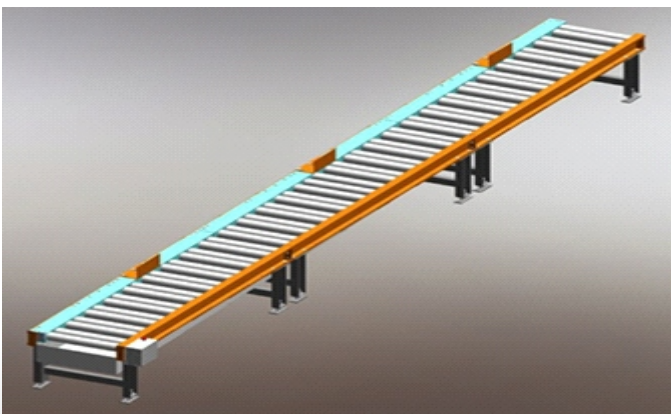
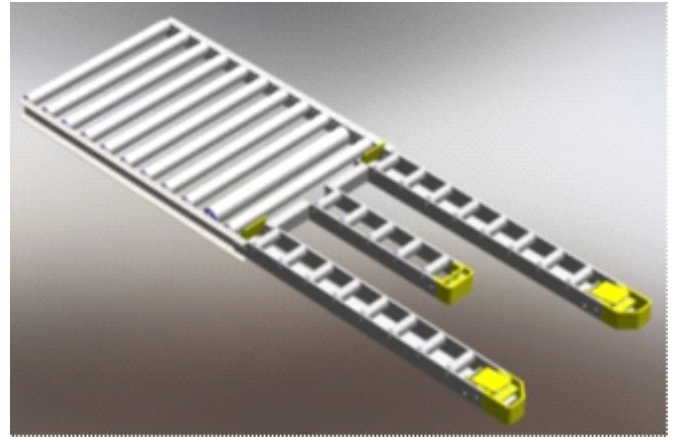
CUSTOM MADE CONVEYOR LINES

Lines designed and manufactured according to the specific requirements of each customer. Turnkey solutions are a result of a highly skilled and professional development department, which can help you, to find a solution for your technological problem. We have experience and references in various fields of industry: wood industry, automotive industry, food industry, handling materials industry, etc...

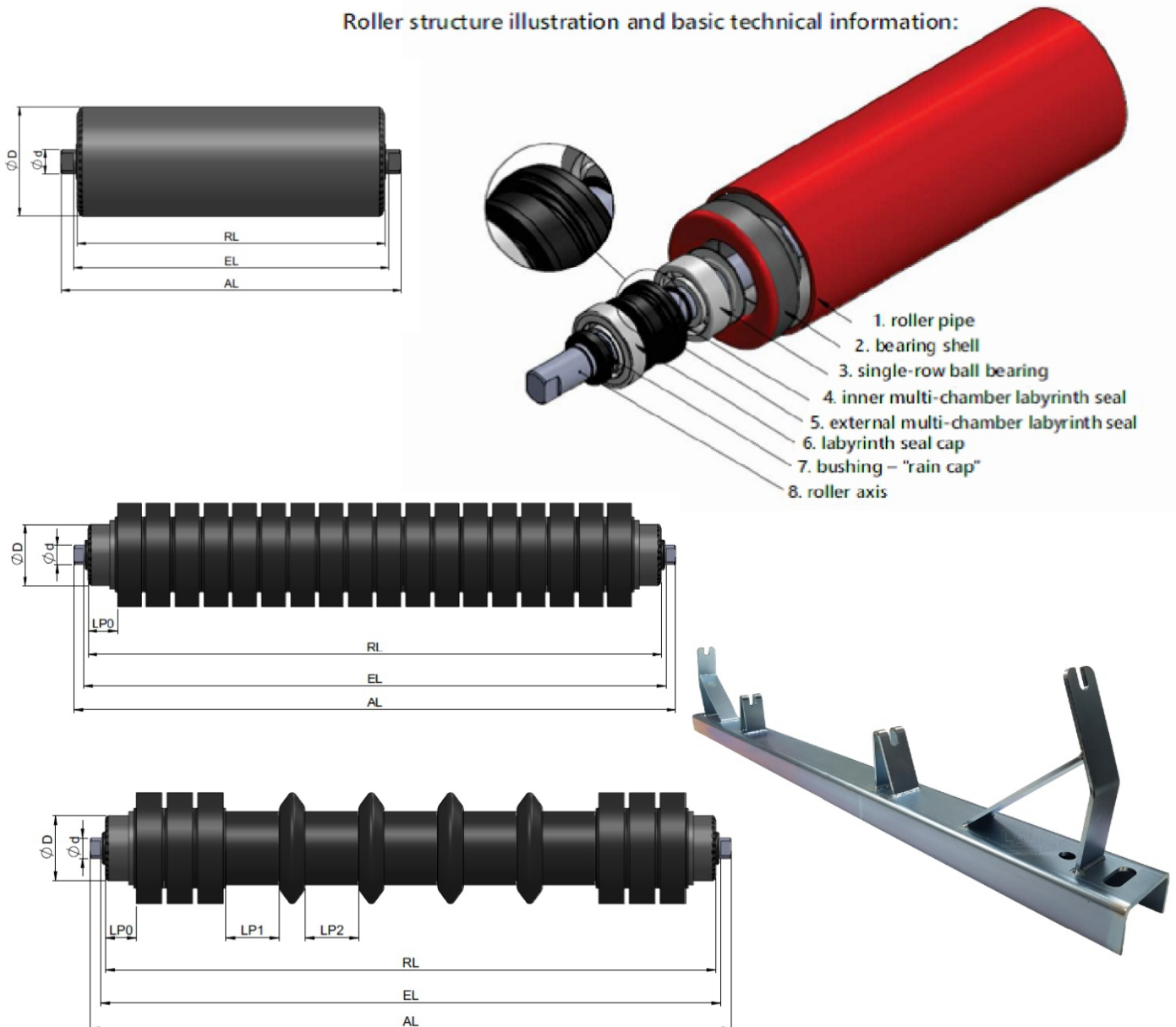


STANDARDIZED/MODULAR CONVEYOR LINES

Transport conveyor lines represent a wide range of industrial conveyor lines for delivering materials suitable for appropriate load support in various industries where manipulation of longer workpieces is performed (metal, aluminum, plastic, wood). Prefabricated lines or modules are ready for installation with the possibility of cascade assembly.



Roller structure illustration and basic technical information:



SALE OF ROLLERS AND CONVEYOR SYSTEMS

Tel.: 00386 (0)2 460 25 40

office@lar.si